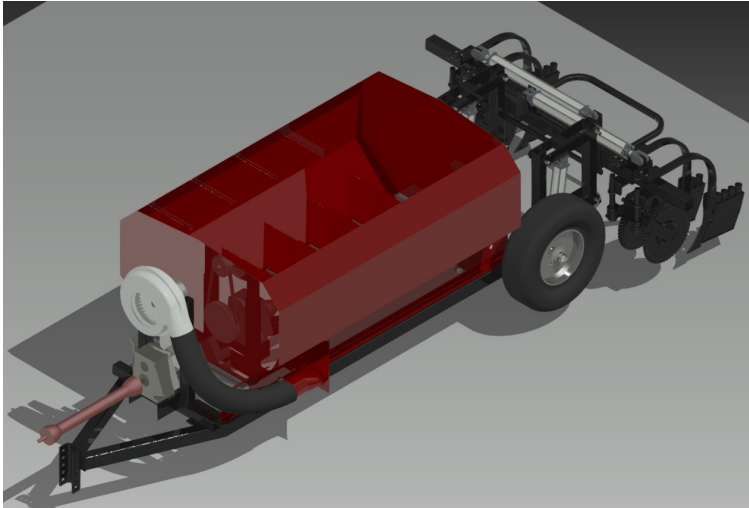




190-D

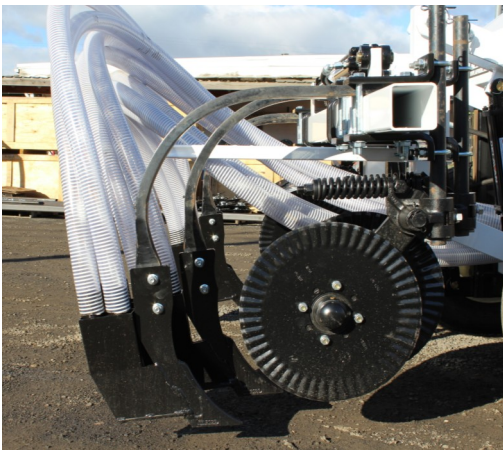
Orchard & Row Crop Dry Fertilizer Applicator



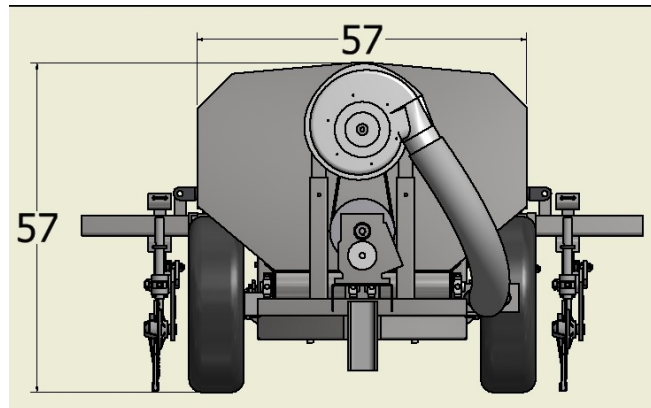
Features

- Hydraulic lift toolbar with parallel arm linkage
- Electronic metering for precise variable application
- PTO driven high output fan delivers product pneumatically through eight 2 inch outlets.
- Coulter/Shank assemblies band fertilizer with minimal soil disturbance
- Optional adjustable deflectors for precise spreading on the soil surface, or for a combination of banding/spreading

- 90 cubic foot hopper capacity with stainless steel metering chain



- Hydraulic toolbar extensions allow the operator to adjust the toolbar width from 96 inches to 156 inches *



- Low profile and compact size for narrower rows —57 inch overall height and 57 inch hopper width

* toolbar maximum and minimum widths can be altered to customer specifications